

# PRODUCTS FOR PLAIN EXTERNAL DIAMETER GAUGING - PLAIN RING GAUGES

Application : Attribute inspection of external diameters

Material & Heat Treatment Hardened & Stabilized Steel , AISI O1 / EN-31(SAE 52100), Hardness 60-62 HRc.

- Close Tolerance Rings and setting rings are sub zero treated for dimensional stability.
- TUNGSTEN CARBIDE OPTION WHERE EVER AVAILABLE IS SEPARATELY GIVEN IN THIS CATALOGUE.

## SPECIFICATION:

For Go / Nogo Rings

Basic Dimensions: IS 919 Part 1 & 2 1993/ ISO 286 Part 1 & 2-2010.  
Gauging Practice: IS 3455-1971, IS 7876-1975 & DIN 7163-1966.

For Ring Blanks :

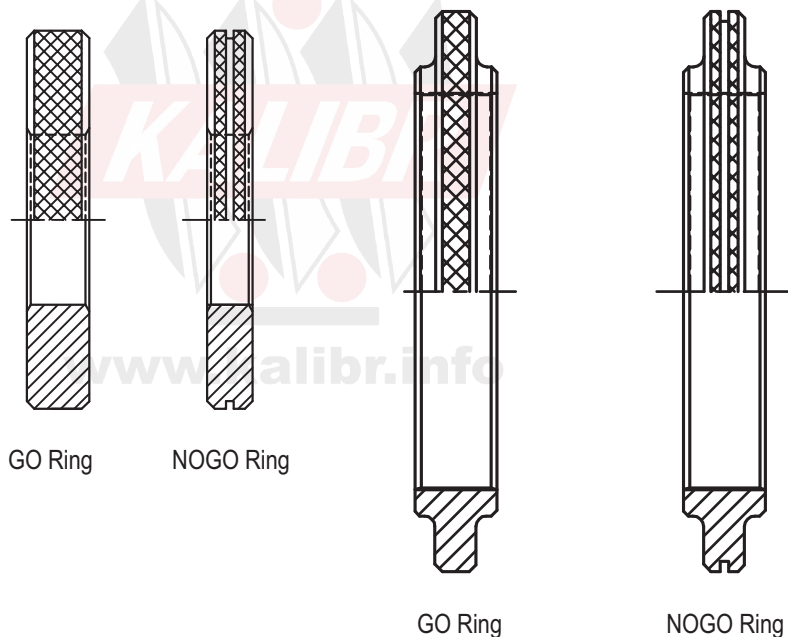
ISO 3670 OR IS 3485-1983 OR DIN 2250-2008 & DIN 2254

## STEEL

Material Stabilised Steel AISI O1 / EN31 / SAE 52100

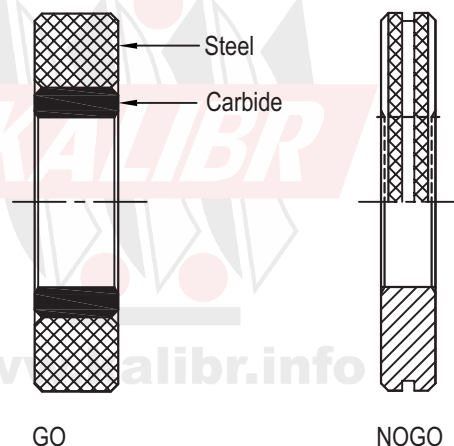
DIAMETER 1MM - 100 MM

DIAMETER 100 – 300 MM



## TUNGSTEN CARBIDE

DIAMETER 4MM - 60 MM



Go in Tungsten Carbide & Nogo stabilized steel. (AISI O1/EN 31 (SAE 52100), Hardness 60- 62 HRc.

- No go Ring in Tungsten carbide can be supplied if requested.